

DVI KVM Extender

UDP1000P DVI KVM Extension



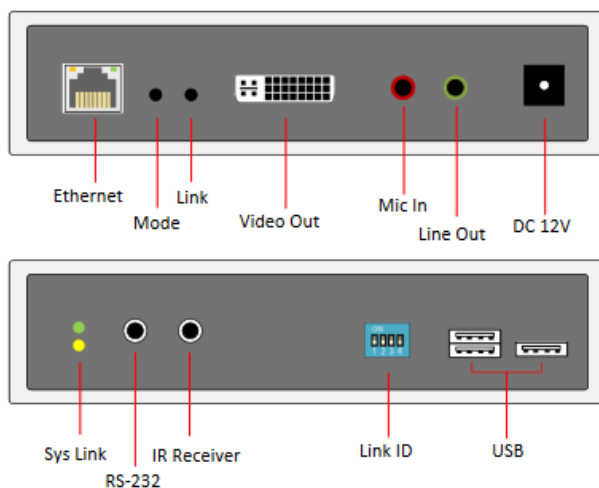
UDP1000P Features

The UDP1000P KVM extender provides perfect High Definition Video up to 1920 x 1200 @ 60Hz resolution at approximately 150m with USB keyboard & mouse, Audio, RS-232 and IR remote control.

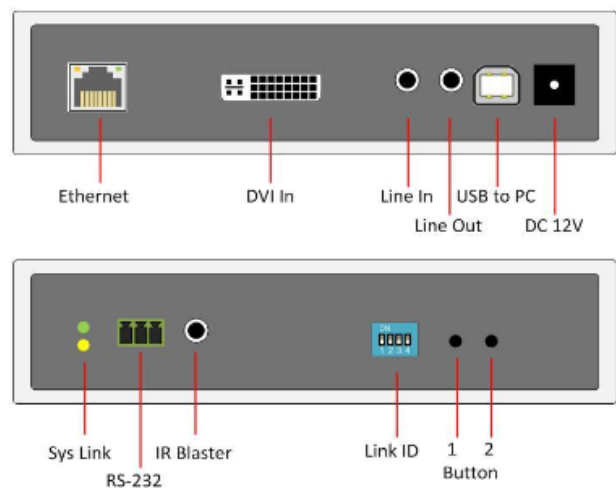
Video connectivity is through DVI-D on the transmitting side, with DVI-D or VGA support on the remote user side.

This digital extension solution is based on standard UDP/IP technology allowing unicast (point-to-point) or multi-cast (one-to-many) through a 1Gig Ethernet switch.

User Station



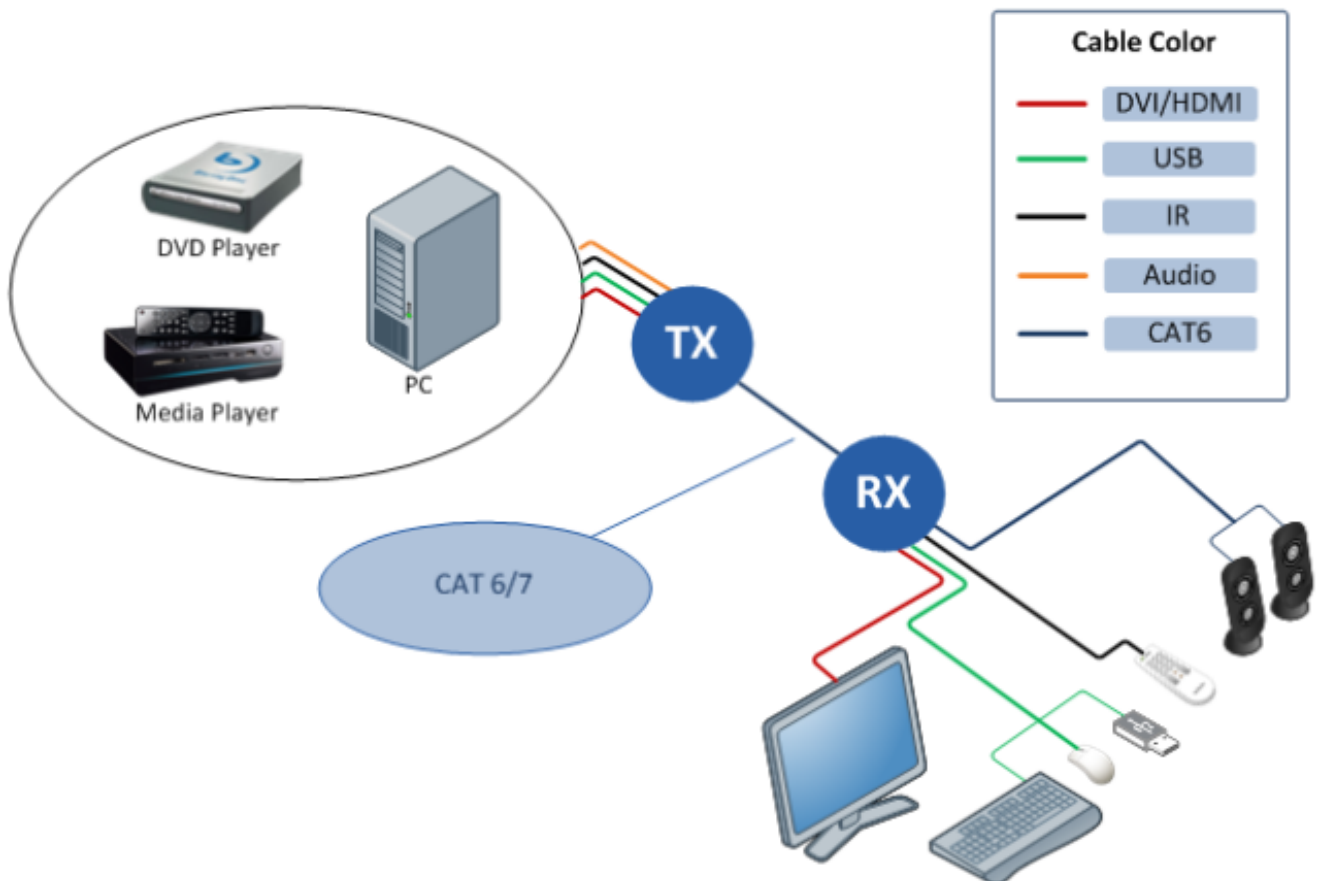
Transmitter



Features

- Supports Full HD video at 1080p and PC resolutions up to 1920x1200 @ 60Hz
- Up to approximately 150m over CAT5 and CAT6
- IP based technology supporting unicast (point-to-point) or multi-cast (one-to-many) through a 1Gig Ethernet switch
- Support for many-to-many group broadcasting ** 1Gig Ethernet Switch must support at least IGMPv2 as a minimum
- Supports USB Keyboard and Mouse and one spare USB port compatible with : USB touch screen, media stick, jogger wheel, tablet
- 3.5mm Audio jac for microphone in and audio out
- RS-232 and IR connectivity

Direct Connect



1Gig Ethernet Switch : One to Many or Many to Many

