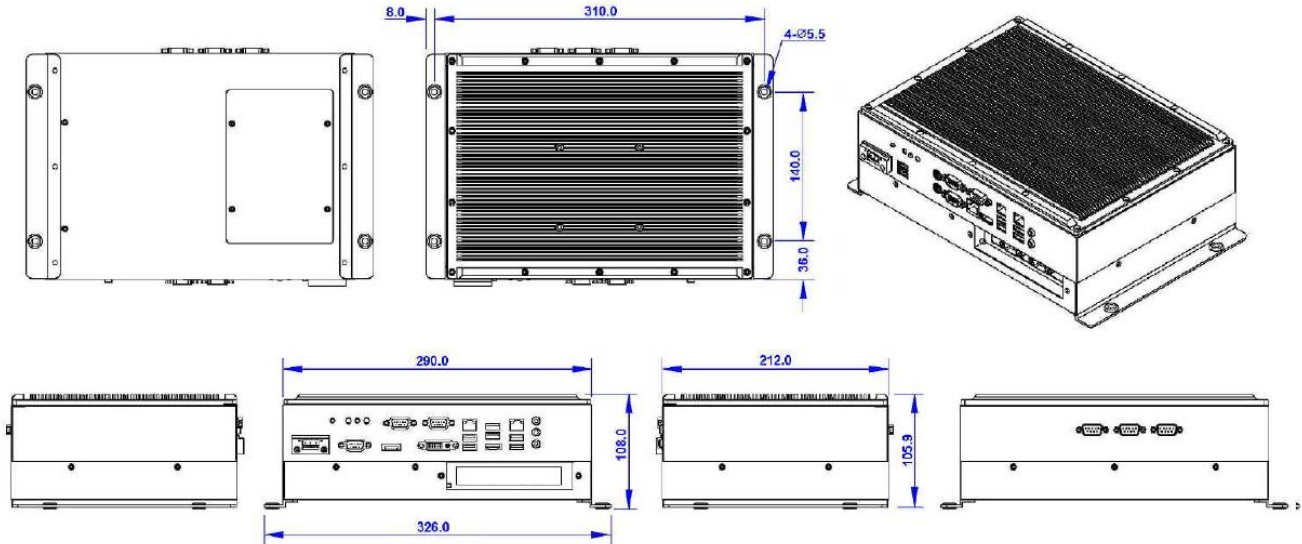


# MPC-7600



The MPC-7600 is an embeddable rugged Box PC with optional PCI slot.

## TECHNICAL SPECIFICATIONS

### Mainboard

Chipset	Intel QM77 Chipset
Processor	Intel new 3 <sup>rd</sup> , 2 <sup>nd</sup> generation i3,i5,i7 CPU
Default CPU	i5-2410M CPU
System Memory	2,4,8,16GB DDR3 204pin SODIMM

### Mounting Method

Mounting Bracket	Two brackets on both sides for mounting
Shock Rubber Feet	Two anti-shock rubber feet on each mounting
OPTIONAL	DIN Rail mounting

### Storage Device

HDD	120Gb SolidState Disk
Data Mgmt	Level wearing, error data management, etc.
Shock/Vibration	High tolerance against shock and vibration.
Operating Temp	-20 to 70 degrees Celcius

### RAID & Expansion Slots

Raid Server	Support 0,1,5,10 Multi RAID server functions
SATA sockets	4 x SATA (2 X SATA-3 + 2 X SATA-2)
Slots	1 x PCI-e X 16 or mini PCI-e

### Video Processor

Graphics Engine	Intel GMA 3000 graphics chip on i7/i5 processor
DirectX 3D Grap.	Support DirectX 10.0 3D graphics
DVMT Technology	Support Intel Dynamic Video Management Tech.
Video Memory	Support 1.5GB high speed video share memory

### Power Supply

DC Power input	DC 8-36V, 48V or 110VDC.
AC Adapter	External AC Adapter support 90-264V, 60W

### I/O Port

DVI & HDMI Port	1 x DVI port (1920 X 1200) & 1 Display port 1 x HDMI support high definition video & audio
Ethernet Network	2 Giga bit LAN support 10/100/1000 Mbps
USB Ports	4 x USB 2.0 / 2 x USB 3.0
COM (RS232)	6 x COM Ports (4xRS232 + 2xRS232/422/485)
PS2 Port	1 x PS2 Keyboard and 1 x PS2 Mouse port
Audio Port	3 x Audio-in, 1 x Audio-out port
Digital I/O Port	Optional 4 x Digital Inputs/4 x Digital Outputs

### Chassis Material

Chassis Material	Anti-corrosion galvanized steel.
Construction	Rugged steel anti-shock construction
Standard Colour	Black

### On-Off Switch & LED

On-Off Switch	Red button on the left.
Reset Switch	Black button in the middle.
Power LED Ind.	Red LED.
SSD LED Ind.	Green LED

### Environmental

Operating Temperature	Meet MIL-STD-810F, -20 to +70°C
Storage Temperature	Meet MIL-STD-810F, -30 to +85°C
Shock	Meet MIL-STD-810F shock standard
Vibration	Meet MIL-STD-810F vibration standard
Compliance	Meet CE, FCC, RoHS standard.

### Sold and serviced by



Suite 603, Level 5  
152 Bunnerong Road  
PAGEWOOD  
NSW, 2035

Tel: 02 9314 2092 Email: [sales@icpglobal.com.au](mailto:sales@icpglobal.com.au)

