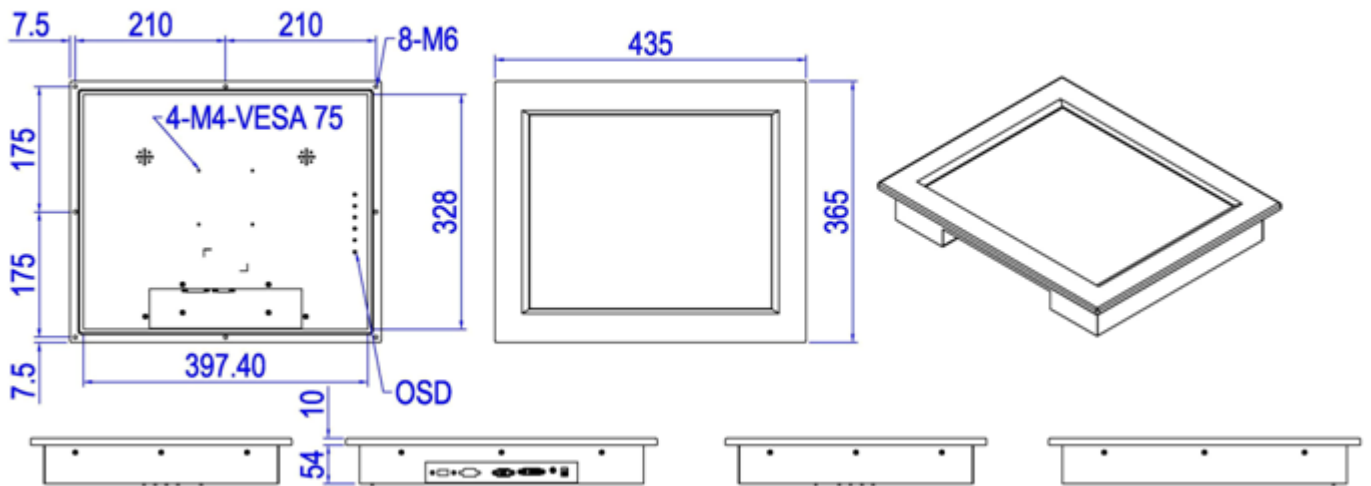



LCM-170T-AL



Industrial/Military-grade 17" Panel Monitor, Touchscreen Option.

TECHNICAL SPECIFICATIONS	
LCD Display Grade	
LCD Panel	17" TFT LCD color display. Stainless steel/Aluminium bezel.
Resolution	1280 x 1024 XGA resolution.
Luminance	300 cd/m2 (Brightness of LCD)
Contrast ratio	300:1 – Optional: 450:1
Touch Screen: Optional	
Touch Screen	5-Wire long life analog resistive touch screen.
Resolution	4096 x 4096 high resolution.
OSD control buttons	
Control buttons	On screen display buttons and On/Off power switch are located at the rear side of the housing. These OSD buttons control screen position up, down, left, right, brightness, contrast ratio and menu.
IP Rating	
IP Rating	IP-65 and NEMA-4 water and dust resistant rating.
Interface (VGA, DVI, BNC, Touch)	
VGA	Standard 15-pin female D-sub RGB connector.
DVI	DVI Interface.
Video port	BNC video port (optional).
Touch interface	Serial port or USB port (optional).
Mounting Method	
Wall Mount	Support VESA-75/100 wall mount standards.
Power Supply	
Power Source	Support 100-240V AC auto power range
	Optional: DC 9-36V
Consumption	Max 40 watts, standby 5 watts
Environmental	
Operate Temp	Industrial grade: 0 to 50°C Option: Military grade: -20 ~ 70°C
Shock	Meet MIL-STD-810F shock standard.
Vibration	Meet MIL-STD-810F vibration standard.
Sold and serviced by	
 Suite 603, Level 5 152 Bunnerong Road PAGEWOOD NSW, 2035 Tel: 02 9314 2092 Email: sales@icpglobal.com.au	