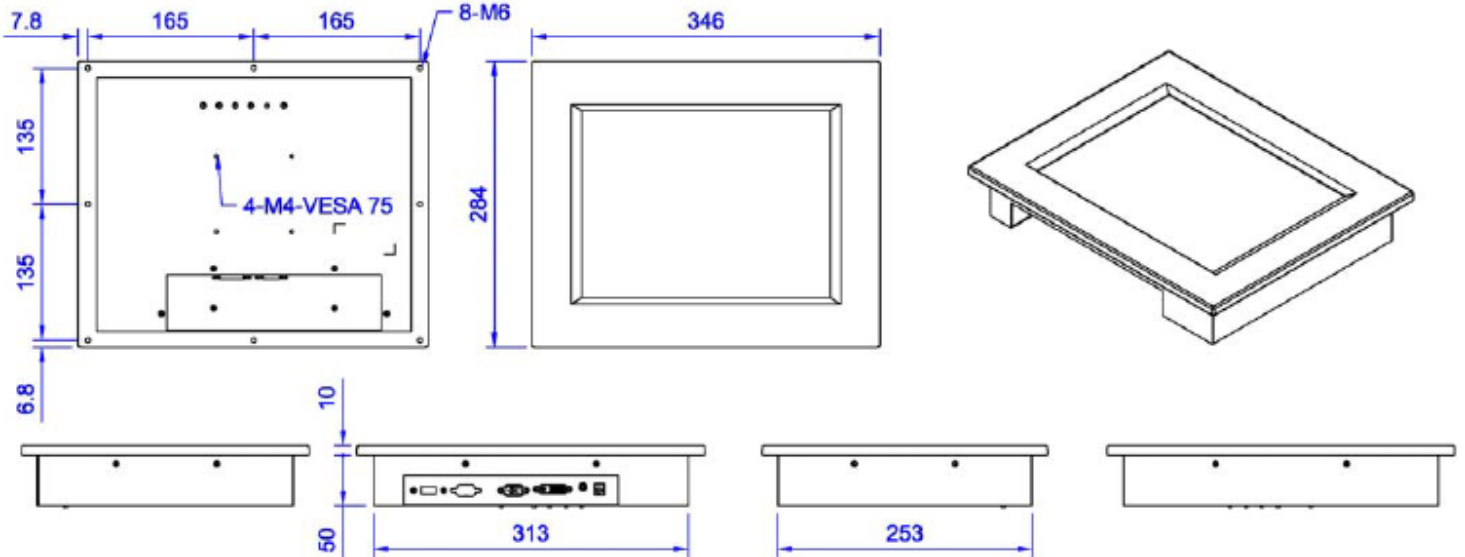


LCM-120



TECHNICAL SPECIFICATIONS

LCD Display Grade

LCD Panel 12.1" TFT LCD color display. Stainless steel bezel.
 Resolution 1024 x 768 Super VGA resolution.
 Luminance 200 iV 250 cd/m2 high brightness, with high colors Optional: Sunlight readable 1600 cd/m2 available (Additional cost)

Interface (VGA, DVI, BNC, Touch)

VGA supported. Standard 15-pin female D-sub VGA connector output
 Video port DVI or BNC Connector available on request.
 Touch interface BNC video port (optional).
 Speakers Serial port or USB port (optional).
 Built in 2 x speakers and 1 audio jack.

Touch Screen: Optional

Touch Screen 5-Wire long life analog 12" resistive touch screen.
 Resolution 4096 x 4096 high resolution.
 Touch life 10,000,000 touch times.
 Interface USB or Serial ports.
 Optional Vandal-proof touch screen available on request..

Mounting Method

Wall Mount Support VESA-75/100 wall mount standards.

OSD control buttons

Control buttons On screen display buttons and On/Off power switch are located at the rear side of the housing. These OSD buttons control screen position up, down, left, right, brightness, contrast ratio and menu.

Power Supply

Power Source Support 100-240V AC auto power range.
 Consumption Max 40 watts, standby 5 watts

IP Rating

IP Rating IP-65, 66, 67, 68 and NEMA-4, 12 water and dust protection ratings.

Environmental

Operate Temp Industrial grade: 0 ~ + 50°C
 Storage Temp Industrial grade: -40 ~ + 85°C
 Shock Meet MIL-STD-810F shock standard.
 Vibration Meet MIL-STD-810F vibration standard.

Sold and serviced by



Suite 603, Level 5
 152 Bunnerong Road
 PAGEWOOD
 NSW, 2035

Tel: 02 9314 2092 Email: sales@icpglobal.com.au